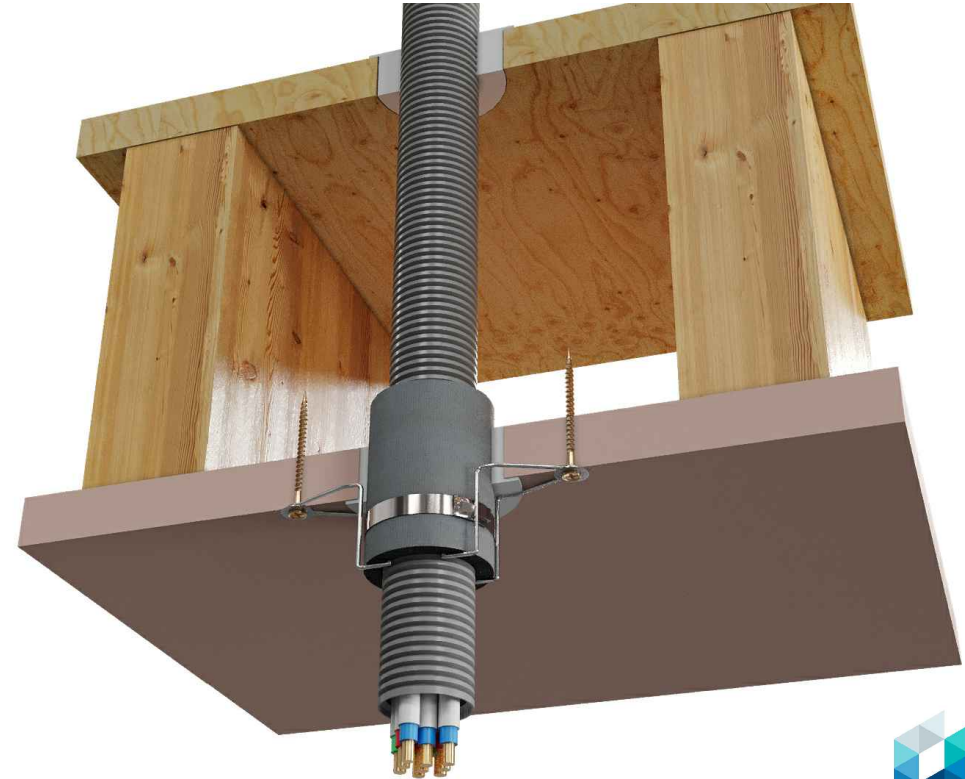


AGNI-Wrap in 16mm Ceiling (with floor above)
 Flexible Conduit 25mm, Empty or with up to 3 TPS Cables
 Max FRR -/60/60

System ID# FC842

Step-by-step installation instructions:

1. Ensure the aperture(s) is free from dust and debris.
2. Cut the necessary length of AGNI-Wrap 50.
3. Secure AGNI-Wrap 50 around the flexible conduit with no overlap using AGNI-Strap.
4. Insert AGNI-Wrap 50 into the annular space from the plasterboard side of the ceiling, leaving 25mm of the wrap showing below the ceiling lining.
5. Using AGNI-Seal, seal the joints between AGNI-Wrap 50 and the plasterboard.
6. Apply sealant between AGNI-Wrap 50 and the flexible conduit (optional).
7. Apply AGNI-Seal to seal the annular gap between the plywood and the conduit to the full depth of the plywood.



Technical Information

Substrate	<ul style="list-style-type: none"> • Fire-rated plasterboard ceiling (one layer of 16mm)
Service range	DN 25mm flexible conduit with 3xTPS cables
Annular gap	5mm
AGNI-Products	AGNI-Wrap 50, AGNI-Clip, AGNI-Seal, AGNI-Strap
Protection installation	Asymmetrical

Compliance Information

Standards	AS1530.4-2014, AS4072.1-2005
FRR/FRL	-/60/60
Reference	RIRF24077 (AP-078)



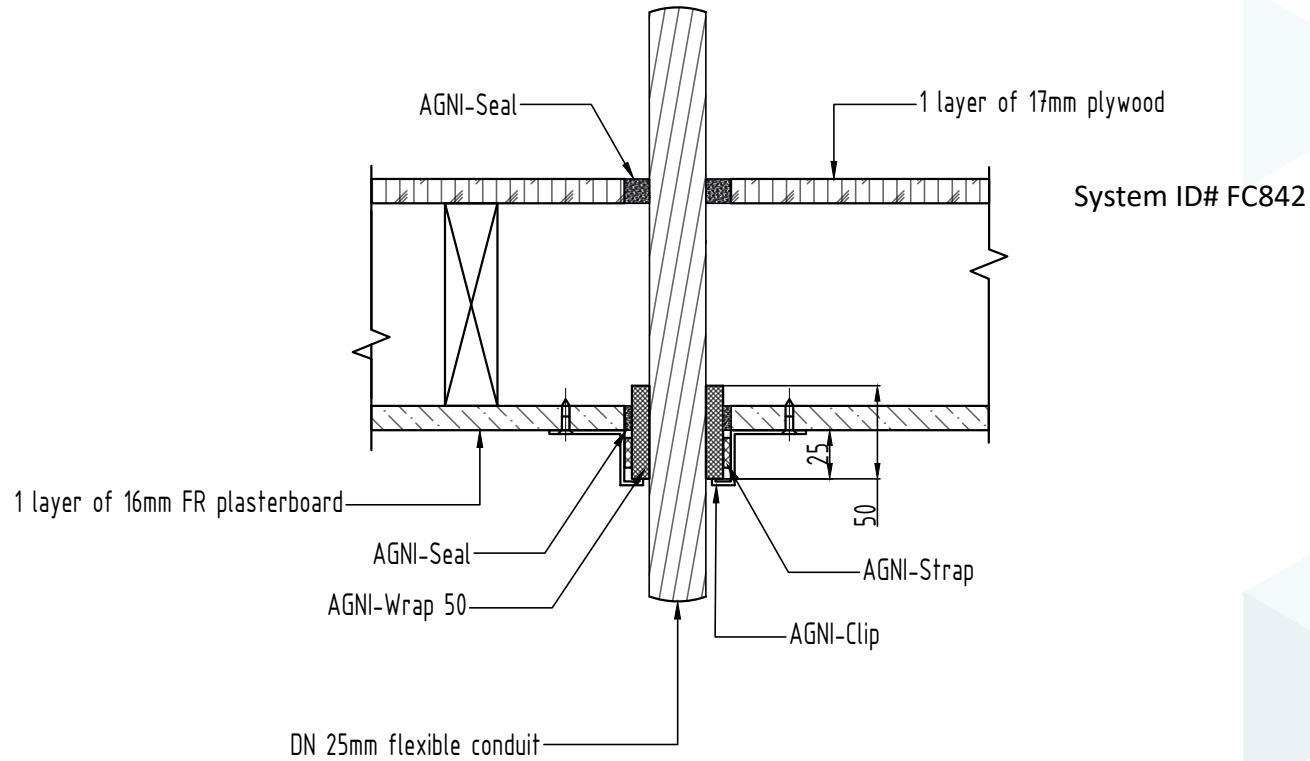
Agnitek[®]
 FIRE RATED TECHNOLOGY

8 Clare St Bayswater
 VIC 3153, AUSTRALIA
 www.agnitek.com.au

Disclaimer

Agnitek reserves the right to modify product specifications without prior notice due to its ongoing research, development & certification programme. The information in this document is provided in good faith and is intended for guidance purposes only. Any accompanying drawings are solely for illustrative purposes. Since Agnitek cannot oversee installation methods or ensure site conditions, no warranties, expressed or implied, are intended regarding the products' actual performance. We do not accept liability for any loss, damage, or injury from using this information. Please take a look at the test reports displayed on a relevant AGNI-System webpage for all compliance specifics.

Date	01.08.2024
------	------------



Technical Information

Substrate	• Fire-rated plasterboard ceiling (one layer of 16mm)
Service range	DN 25mm flexible conduit with 3xTPS cables
Annular gap	5mm
AGNI-Products	AGNI-Wrap 50, AGNI-Clip, AGNI-Seal, AGNI-Strap
Protection installation	Asymmetrical

Compliance Information

Standards	AS1530.4-2014, AS4072.1-2005
FRR/FRL	-/60/60
Reference	PF24077



Agnitek
FIRE RATED TECHNOLOGY

8 Clare St Bayswater
VIC 3153, AUSTRALIA
www.agnitek.com.au

Disclaimer

Agnitek reserves the right to modify product specifications without prior notice due to its ongoing research, development & certification programme. The information in this document is provided in good faith and is intended for guidance purposes only. Any accompanying drawings are solely for illustrative purposes. Since Agnitek cannot oversee installation methods or ensure site conditions, no warranties, expressed or implied, are intended regarding the products' actual performance. We do not accept liability for any loss, damage, or injury from using this information. Please take a look at the test reports displayed on a relevant AGNI-System webpage for all compliance specifics.

Date 01.08.2024